

# FISCHER HARDWARE NEWSLETTER

6129 Backlick Road Springfield, VA 22150  
703-451-3700 findit@fischerhardware.com

Fischer Hardware Newsletter

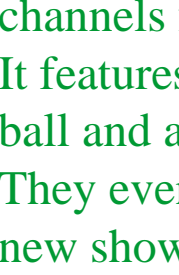
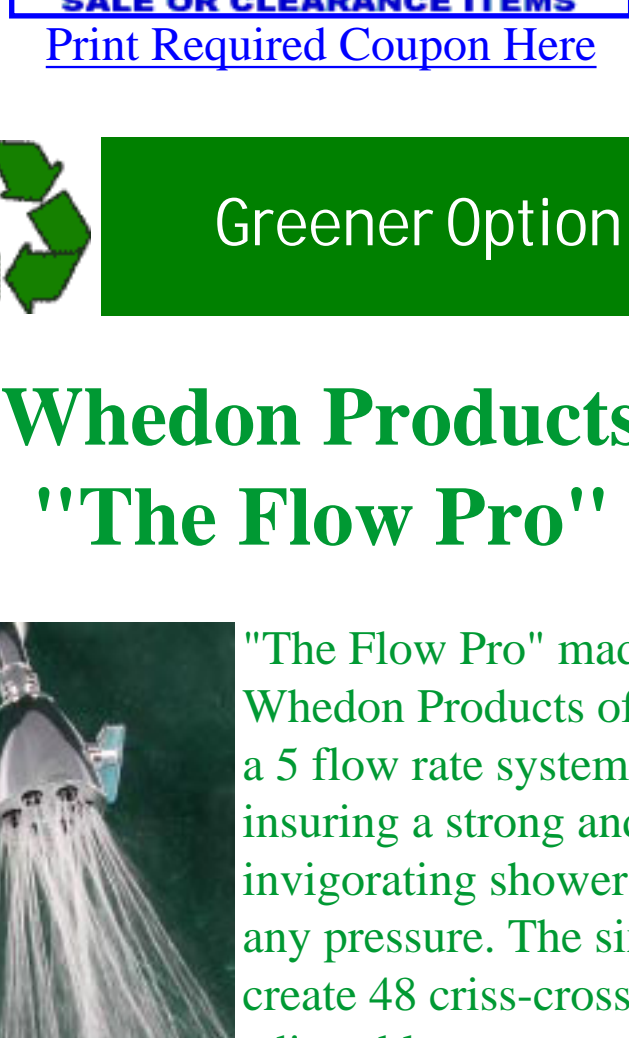
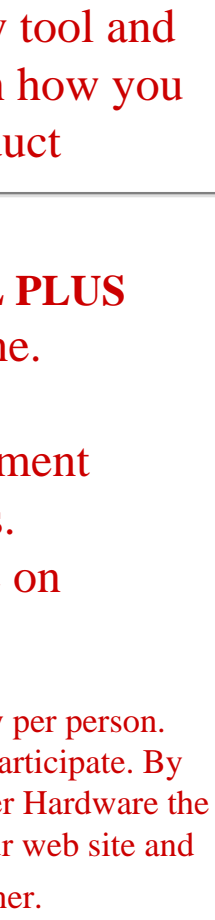
February 2009

The Fischer Hardware Newsletter is for informational purposes only and is not represented as complete or error free. The information including product descriptions, illustrations or other content of this site is provided "as is" without warranties, representations, or guarantees of any kind. Its use is entirely at your own risk and is not a substitute for conducting your own research. To prevent costly, time consuming mistakes and injury, you are cautioned to always consult a qualified expert. [select to unsubscribe](#)



## Does your backache?

Tired of lifting, pulling, throwing and heaving the snow from your sidewalk or driveway? Check out this great idea. The Toro Power Shovel Plus is two great tools in one. In the shovel mode the Power Shovel can clear snow up to 6" deep, throwing it as far as 20'. With just a change of the rotor it's ready to sweep away dirt, leaves & other debris. It's simple-to-use handle controls make it easy to maneuver and operate in any season. The lightweight sleek design enables you to store it in any corner. No more empty gas can or strong odors. Your always ready with this unique Power Shovel.



Greener Option

## Whedon Products "The Flow Pro"



"The Flow Pro" made by Whedon Products offers a 5 flow rate system insuring a strong and invigorating shower at any pressure. The six jets create 48 criss-crossing adjustable spray channels for Extreme showering pleasure. It features a solid brass body-coupling & ball and an easily adjustable spray lever. They even offer a 5 year warranty. All new showerheads are equipped with a flow restrictor limiting the amount of water used still maintaining high water pressure.

Did you know by shaving off two minutes per shower, your average savings could be as much as \$2.46 a week in heating and water cost. (Approximately five gallons of water per day, per person remaining in our reservoirs)

Must be 18 or older to enter. One entry per person. Employees and their families may not participate. By completing the entry you authorize Fischer Hardware the right to use and publish your name on our web site and newsletter if you are the winner.



Happy Valentine's Day  
February 14, 2008  
Gift Certificates Available  
Show "em" you Love "em"



## My Funny Valentine

- Approximately 1 billion Valentine's Day cards are exchanged in the U.S. each year
- Women purchase 85% of all Valentine's Day cards
- 3% of pet owner will give a gift to their pet
- Over 50 million roses are given for Valentine's Day (73% are men making this purchase)
- Richard Cadbury invented the first Valentine's Day candy box
- The oldest surviving love poem was written in 3500 B.C. on a clay tablet

## ALERT Product Recall

### Cobra Electronics Children's Two-Way Radios with rechargeable batteries.

The rechargeable batteries in the radios can leak electrolyte, posing a chemical burn hazard to consumers. The walkie talkies are pink plastic and come in purple packaging. Product #PR191-2VP is on the label inside the battery compartment. DO NOT TOUCH IF THE BATTERIES HAVE LEAKED. Sold only in Toys-R-Us stores from August 2008—September 2008. Stop using immediately and contact Cobra Electronics at 888-252-9889 or go to [www.cobra.com](http://www.cobra.com).

Informative only, Fischer Hardware has never sold the product described above.

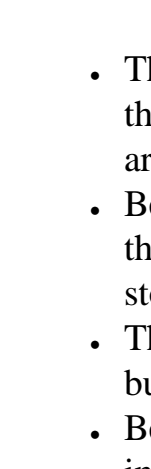
## Question or Comments

E-mail us at [findit@fischerhardware.com](mailto:findit@fischerhardware.com)

## Item of the Month

### Paint SCENTsations!

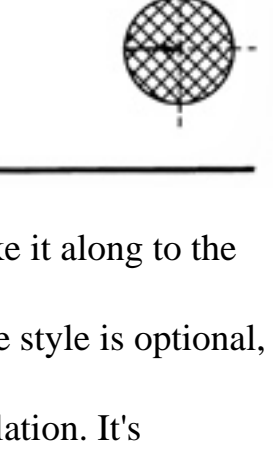
Paint scentsations is an air freshener that uses paint as a carrier. When added to paint it turns it into a long lasting air freshener. Depending upon the size of the room it will add a pleasant fragrance up to 12 months. Great for laundry rooms, kitchens, family rooms, bathrooms and bedrooms. Try one of these great scents today.



### Spiced Hot Cider (Serves 6)

- 4 Cups Apple Cider
- 7 Cinnamon Sticks
- 5 Cloves (whole)
- 2 Tablespoons cinnamon syrup

Bring apple cider, one cinnamon stick, cinnamon syrup and cloves to a boil. Reduce heat and simmer for 5 minutes. Pour and garnish with one cinnamon stick per mug. Sit back and enjoy



## A Tip or Project for You

### Replacing Sink, Bath and Shower Faucets

Here are tips and instructions on how to replace sink, bath and shower faucets. Following these and manufacturer instructions can help you save time, money and effort. It can also help you end up with a neater, more satisfactory installation. In this document you will find information about:

- Purchase the Correct Faucet
- Use the Correct Tools
- Converting from Iron Pipe to Copper Tubing
- Replacing Faucets with Soldered Ends
- Installing 4" Faucet without Pop-up Drain
- Installing 4" Faucet with Pop-up Drain
- Installing Combination Faucets with Pop-up Drain
- Installing Common Sink Faucets
- Installing Bath and Shower Faucets
- Lead Warning

### Step #1

#### PURCHASE THE CORRECT FAUCET

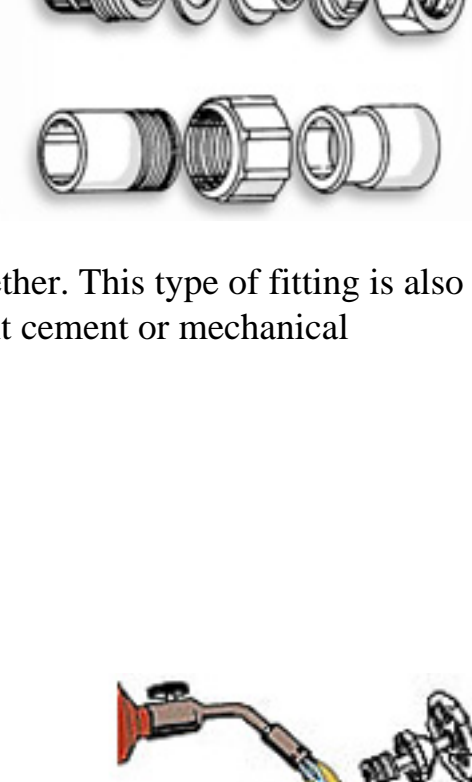
- There are many sizes, types and styles of faucets. Be sure you purchase the correct faucet when replacing an existing one since many faucets are not interchangeable.
- Before purchasing a replacement faucet, take an exact measurement of the holes for the faucet, center to center (see image). Also, remove the old faucet and take it along to the store when purchasing the new fixture.
- There are many different types of mixer faucets. Use care in selecting the correct one—the style is optional, but the size must be correct.
- Before installing the new faucet, carefully read the manufacturer's instructions for installation. It's important to follow them exactly.



### Step #2

#### USE THE CORRECT TOOLS

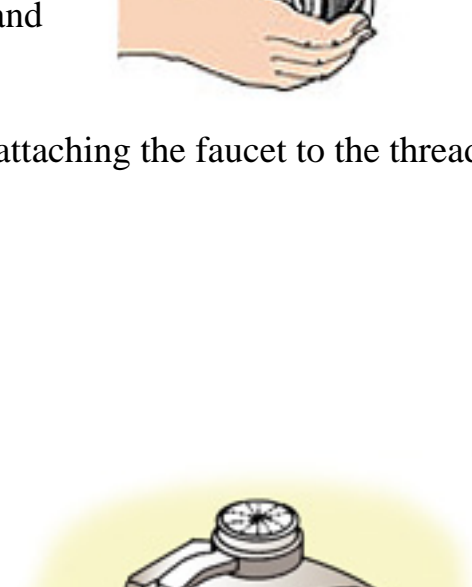
- It's important to use the proper tools when removing stubborn plumbing fixtures. This image shows the variety of wrenches designed for specific plumbing jobs.
- You'll usually need two pipe wrenches (Stillson wrenches) on a plumbing job. One is used for holding, the other for turning. Use pipe wrenches only on pipes. The teeth in the jaws of pipe wrenches bite into the metal and can mar chrome-finished nuts and pipe.
- Open-end wrenches and adjustable wrenches have smooth jaws and can be used for square or hex nuts. These wrenches are ideal for working with the interior parts of faucets and valves.
- A closet spud wrench is a special thin wrench made to fit into tight places.
- You can use strap wrenches instead of a pipe wrench when working with chrome-coated pipe if a regular pipe wrench might mar the surface.
- Vise grip wrenches are ideal for holding and working with pipe of small diameter.
- Use basin wrenches to remove or tighten nuts and hose couplings under sinks and lavatories. Its alternate positions enable you to reach nuts that would ordinarily be inaccessible to other wrenches.



### Step #3

#### CONVERTING FROM IRON PIPE TO COPPER TUBING

- In most cases, you'll need to convert from iron pipe to plastic or copper. Check your local code. Both copper and plastic require no threading.
- Attach copper pipe to threaded pipe with a transition union (see image). Half of the union is threaded onto the old iron pipe. The other half is soldered to the copper pipe. The two halves are then threaded together. This type of fitting is also available for connecting iron to plastic and copper to plastic using solvent cement or mechanical connections.



### Step #4

#### REPLACING FAUCETS WITH SOLDERED ENDS

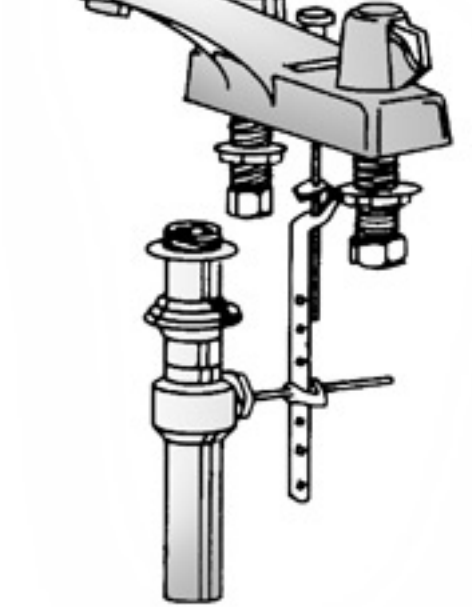
- To replace an ordinary faucet with a soldered end, first remove the old faucet by applying heat or cutting. Clean the end of the pipe thoroughly.
- Remove the stem of the faucet to protect the seat washer (see image). Apply heat to the pipe with an ordinary propane heat torch. Then, apply solder and reassemble the faucet. Use a solder that has no lead.
- You can apply an ordinary faucet of the same type to threaded pipe by applying a pipe compound or Teflon™ tape to the pipe threads and then attaching the faucet to the threads.



### Step #5

#### INSTALLING 4" FAUCET WITHOUT POP-UP DRAIN

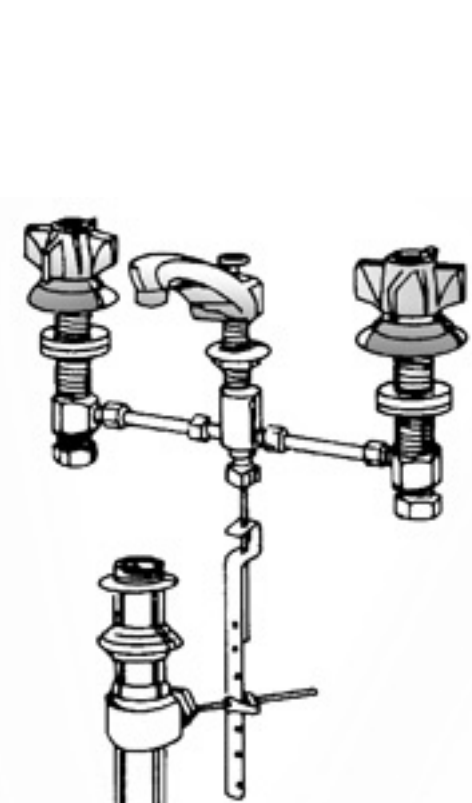
- The 4" lavatory faucet without a pop-up drain is relatively simple to install. Place plumber's putty in the groove just underneath the chrome framing to provide a tight seal (see image).
- Insert the shanks of the lavatory faucet into the holes of the lavatory. Attach the locknuts and the washer to the shank and tighten them firmly into place.
- Remove any excess putty from the base of the faucet. Connect the shank to the water supply and tighten.



### Step #6

#### INSTALLING 4" FAUCET WITH POP-UP DRAIN

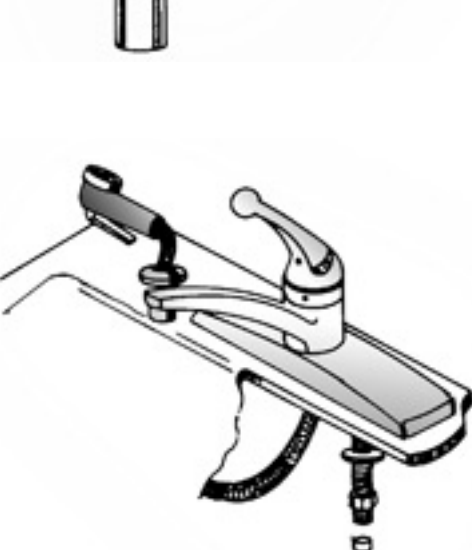
- Installing the 4" lavatory faucet with pop-up drain is more challenging.
- Start by carefully reading the instructions that came with the faucet.
- First, remove the old faucet and the pop-up drain (see image).
- Insert the new faucet into position. Add putty in the groove around the base of the faucet.
- Slip the washer over the shank and thread the locknut up the shank, placing the faucet loosely in position.
- Insert the drain plunger into the center hole and affix the adjustment bar to the drain plunger.
- Place the pop-up drain body in position and attach it to the adjustment bar. Tighten all nuts and attach the faucet to the water system. Attach the pop-up drain body to the drain system.
- Place the stopper in the drain body and work the drain plunger. Make any adjustments by moving the lever assembly up or down in the holes provided.



### Step #7

#### INSTALLING COMBINATION FAUCET WITH POP-UP DRAIN

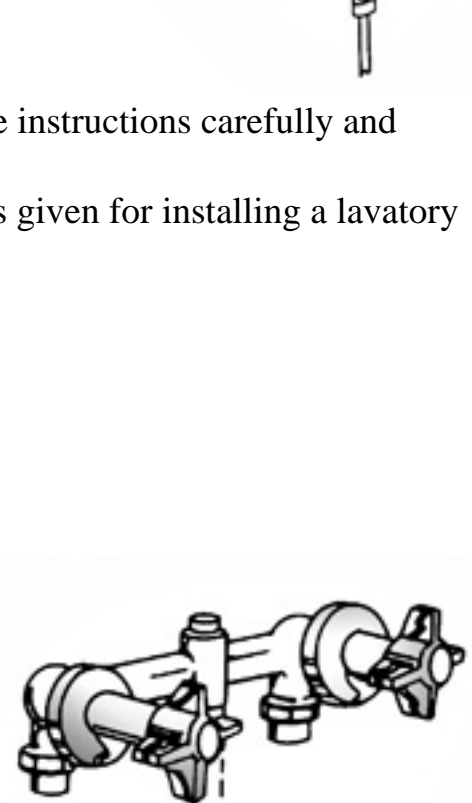
- Installing the combination lavatory faucet with pop-up drain is much the same as the 4" lavatory faucet. (see image)
- Read and follow the manufacturer's instructions carefully for the step-by-step installation.
- The main difference in this installation is that most models require the faucet handles, flanges and faucets to be inserted from underneath the lavatory frame.



### Step #8

#### INSTALLING COMMON SINK FAUCETS

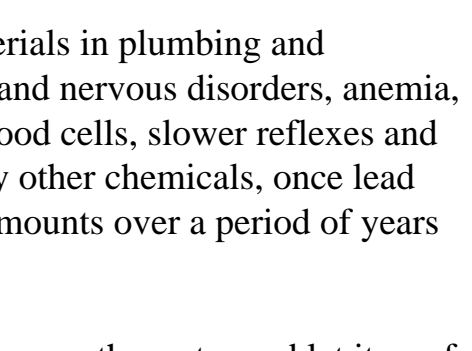
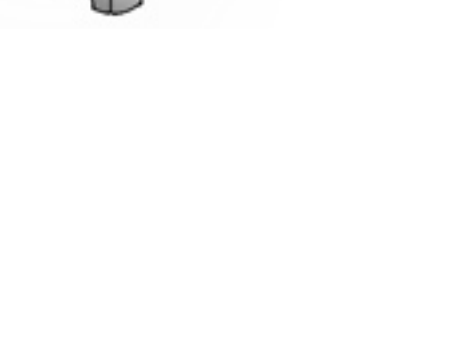
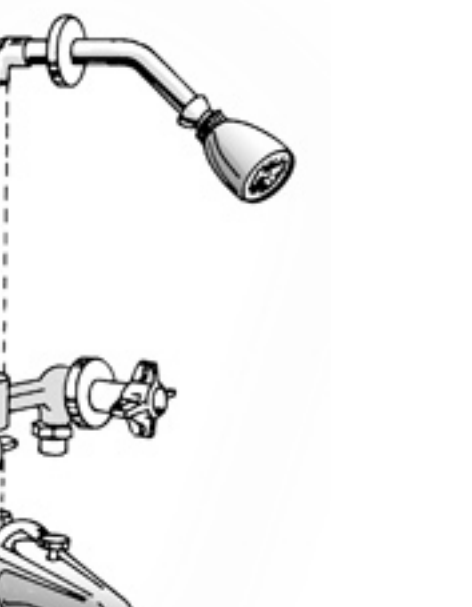
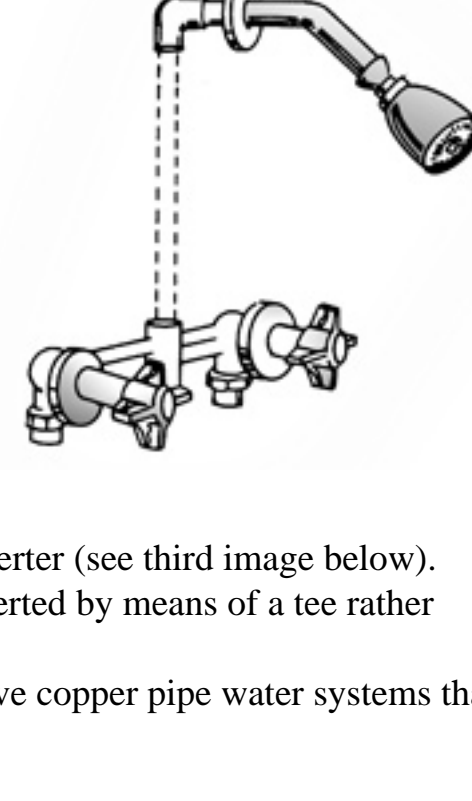
- Most sink faucets are of the mixer variety, where the hot and cold water are mixed and brought into the sink through one swing spout.
- The typical mixer-type faucet also comes equipped with a spray hose (see image).
- Mixer faucets for kitchen sinks are usually 8", although they are also available in 6" and 4" sizes. There are two basic types—the exposed deck, shown in the image, and the concealed deck. The exposed deck has a chrome housing above the sink, while the concealed deck has a flange exposed just below the faucet handles.
- All faucets come with manufacturers' installation instructions. Read these instructions carefully and follow each step for a good installation.
- If instructions are unavailable, you can follow the same basic instructions given for installing a lavatory faucet.



### Step #9

#### INSTALLING BATH AND SHOWER FAUCETS

- The first challenge in installing bath and shower faucets is getting the faucet assemblies behind the wall.
- Most builders provide a rear access panel. By removing this panel, you can connect fittings without defacing the bathroom wall. These panels are usually located in closets in back of the tub.
- The two-valve faucet assembly is the most common assembly for bathtubs. If instructions are unavailable, study the image to help you make sure an installation without too much trouble.
- The two-valve shower assembly is the basic faucet arrangement used only for shower assemblies.
- This arrangement is used when the faucets are installed separately and apart from the taps that supply water to the tub (see image).
- The three-valve diverter with shower head and spout provides water both to the shower and to the tub.
- With this assembly, the hot and cold water taps are turned to bring water into the tub. Then, when the proper mix of hot and cold is reached, the diverter valve is turned to bring the water through the shower head (see first image below).
- There are two basic types of two-valve diverters. One has a twin ell diverter spout (see second image below). The water is first mixed by letting it run into the tub. It is then diverted through the shower head by the twin ell diverter spout.
- Another type of two-valve diverter has a shower head and ejector tee diverter (see third image below). This works in basically the same way as the twin ell, but the water is diverted by means of a tee rather than by the twin ell.
- Many older homes have lead pipe water systems. Many newer homes have copper pipe water systems that have been soldered together with solder containing lead.



### Step #10

#### LEAD WARNING

- Lead can leach into the drinking water system from the corrosion of materials in plumbing and distribution systems that contain lead. Exposure to lead may cause brain and nervous disorders, anemia, high blood pressure, kidney and reproductive problems, decreased red blood cells, slower reflexes and even death. The lead collects in the kidneys, liver and brain. Unlike many other chemicals, once lead enters a person's system, it cannot be removed. Exposure to even small amounts over a period of years can cause irreversible damage.
- When working on a plumbing project, always use lead-free solder.
- In normal use, if it has been six hours since the water system was used, turn on the water and let it run for a few minutes before drawing water to use for drinking or cooking. However, there is no need to waste this water. It may be used for such things as watering plants.
- Additional information is available from the Environmental Protection Agency's Safe Drinking Water hotline at 1-800-426-4791. It can also provide information about certified laboratories that test for lead in drinking water.

#### TOOL AND MATERIAL CHECKLIST

Pipe Wrench	Basin Wrench
Solder	Propane Torch
Sandpaper or Emery Cloth	Plumber's Putty
Screwdriver	Penetrating Oil
Hand Cleaner	Adjustable Smooth Jaw Wrench
Pipe Cutter	Vise
Flaring Tool	Pipe Compound or Teflon(TM) Tape
Vise-Grip® Pliers	Hammer
Transition Unions	Solvent Cement

[back to top](#)

Check your state and local codes before starting any project. Follow all safety precautions. Information in this document has been furnished by the North American Retail Hardware Association (NRHA) and associated contributors. Every effort has been made to ensure accuracy and safety. Neither NRHA, any contributor nor the retailer can be held responsible for damages or injuries resulting from the use of the information in this document.